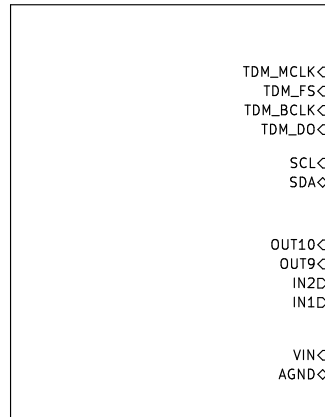
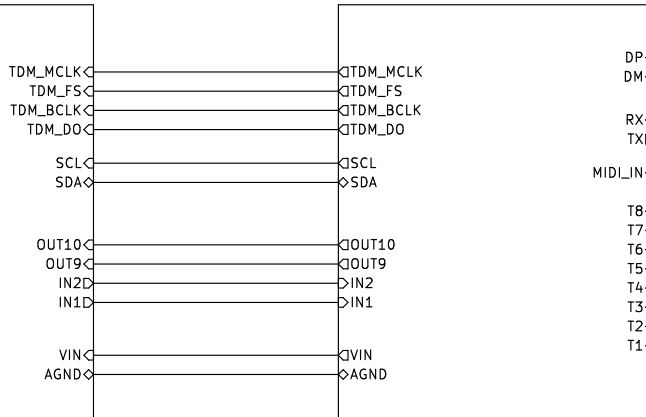


Audio



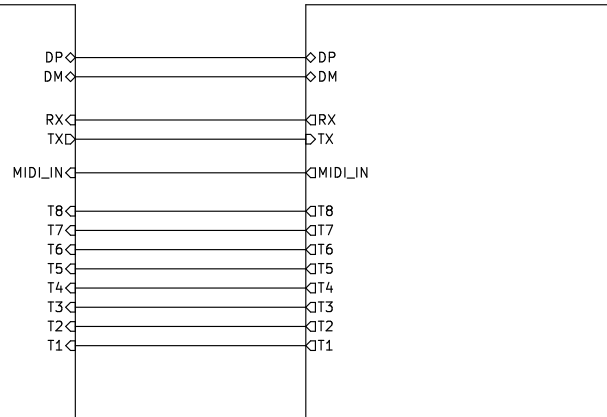
File: Audio.kicad_sch

Daisy







File: Daisy.kicad_sch

Interfaces



File: Interfaces.kicad_sch

-  H1 MountingHole
-  H2 MountingHole
-  H3 MountingHole
-  H4 MountingHole

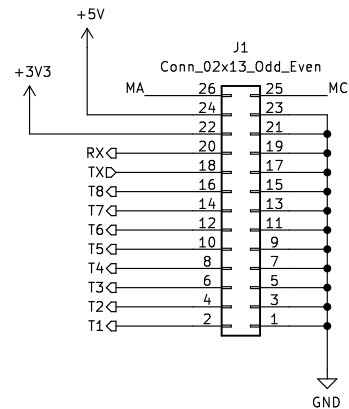
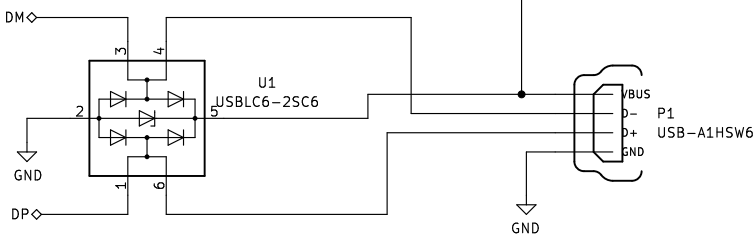
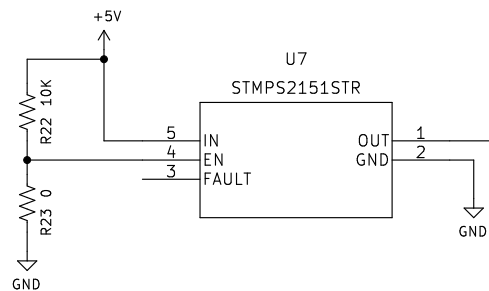
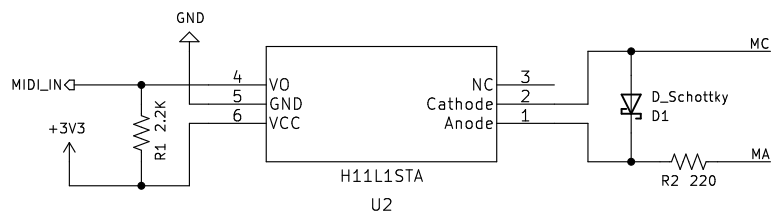
Robertsonics

Sheet: /
File: DaisyRogue.kicad_sch

Title: Daisy Rogue

Size: A4	Date: 9/23/2022
KiCad E.D.A. kicad (6.0.5)	

Rev: 1
Id: 1/4



Robertsonics

Sheet: /Interfaces/

File: Interfaces.kicad_sch

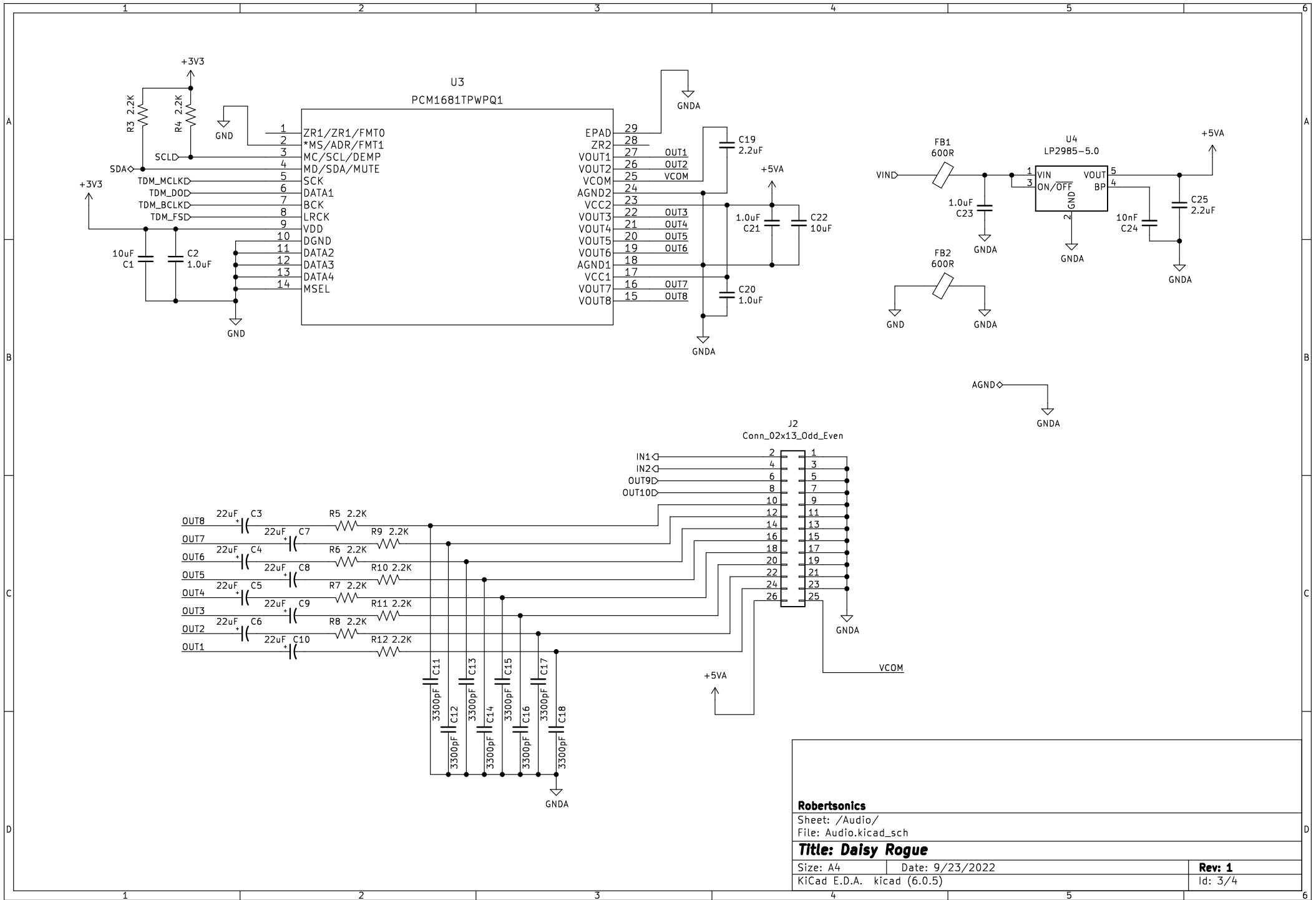
Title: Daisy Rogue

Size: A4 Date: 9/23/2022

KiCad E.D.A. kicad (6.0.5)

Rev: 1

Id: 2/4



Robertsonics

Sheet: /Audio/
File: Audio.kicad_sch

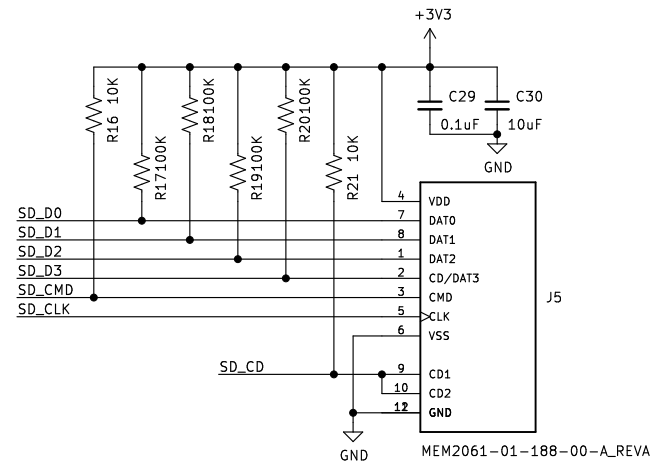
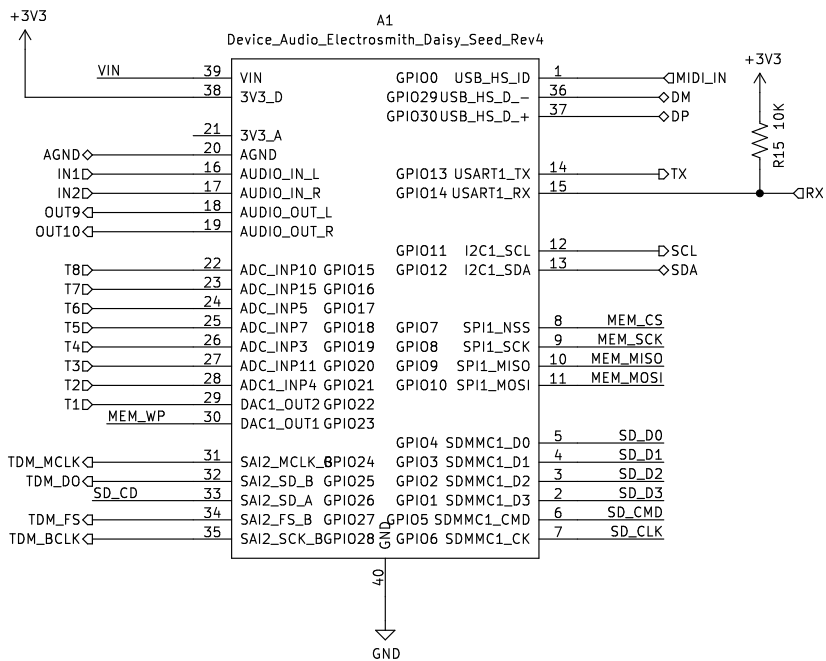
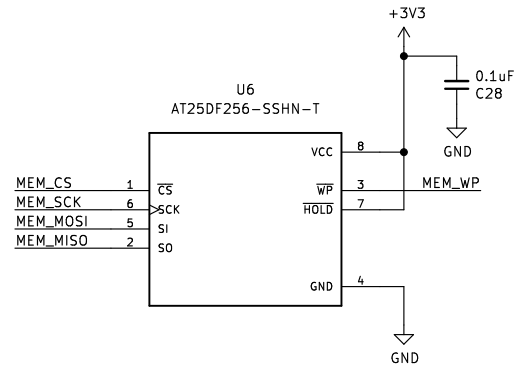
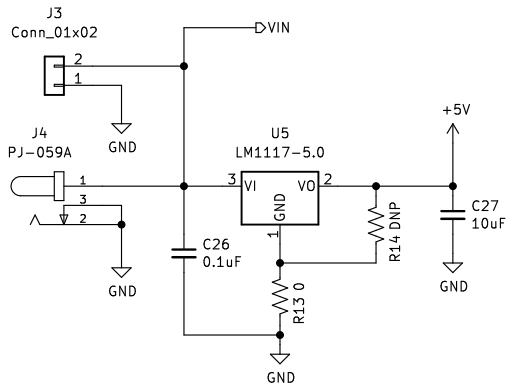
Title: Daisy Rogue

Size: A4 Date: 9/23/2022

KiCad E.D.A. kicad (6.0.5)

Rev: 1

Id: 3/4



Robertsonics

Sheet: /Daisy/
File: Daisy.kicad_sch

Title: Daisy Rogue

Size: A4 Date: 9/23/2022
KiCad E.D.A. kicad (6.0.5)

Rev: 1
Id: 4/4